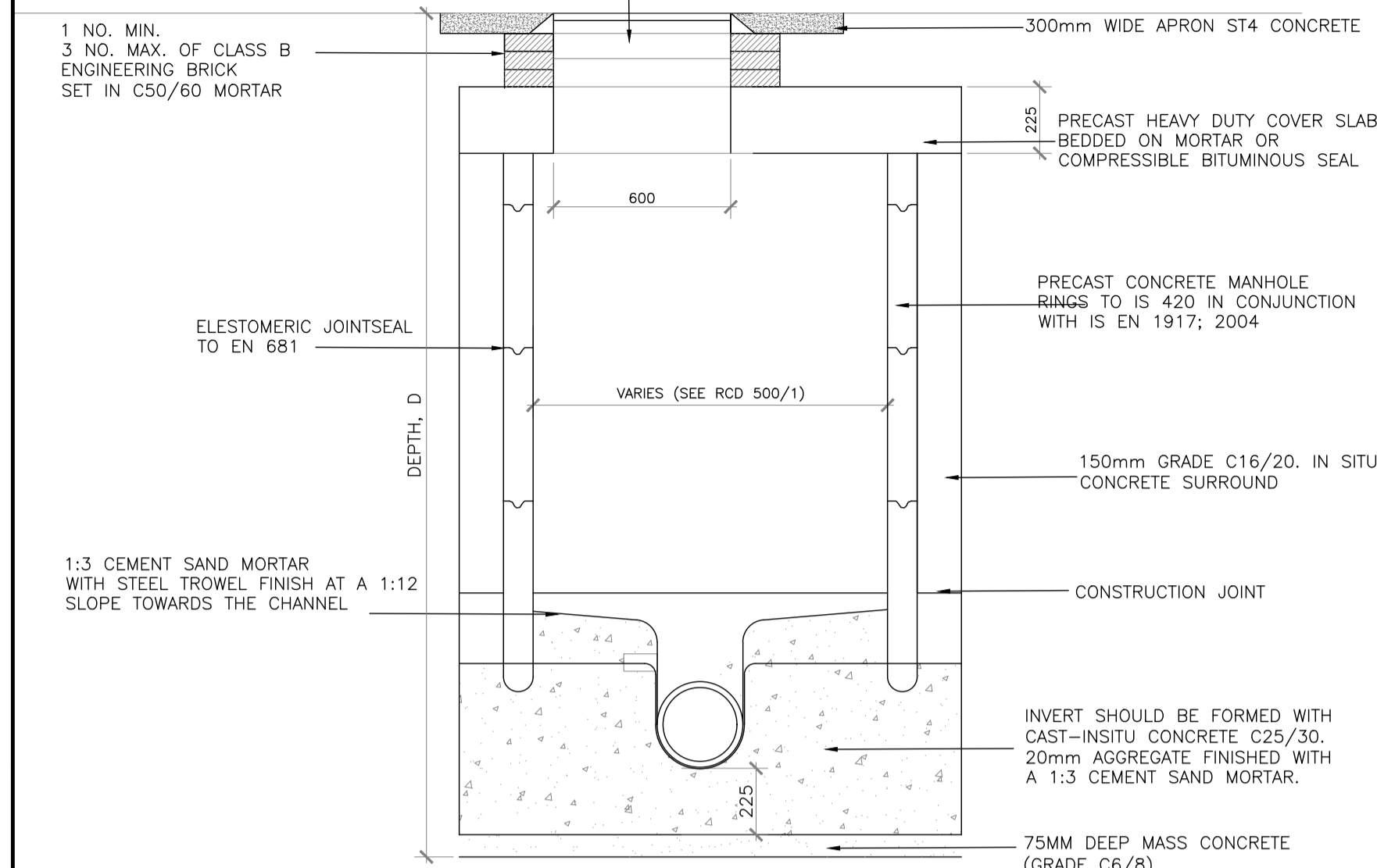


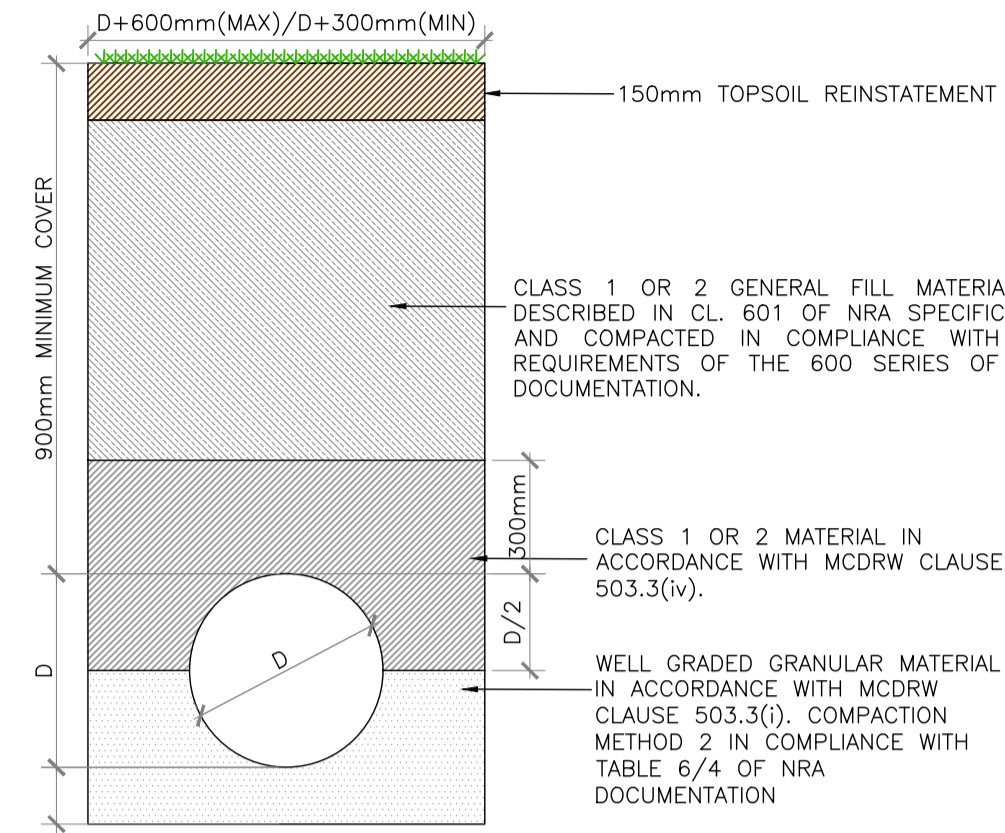
HINGED DOUBLE LEAF MANHOLE COVER AND FRAME SHALL COMPLY TO EN 124 AND BS 7903 ALL CLASS D400 COVERS SHALL HAVE MIN. FRAME DEPTH 150mm) OPE 600x600 mm



PLEASE NOTE THE CONTRACTOR SHALL REFER TO NRA DETAIL RCD/500/5

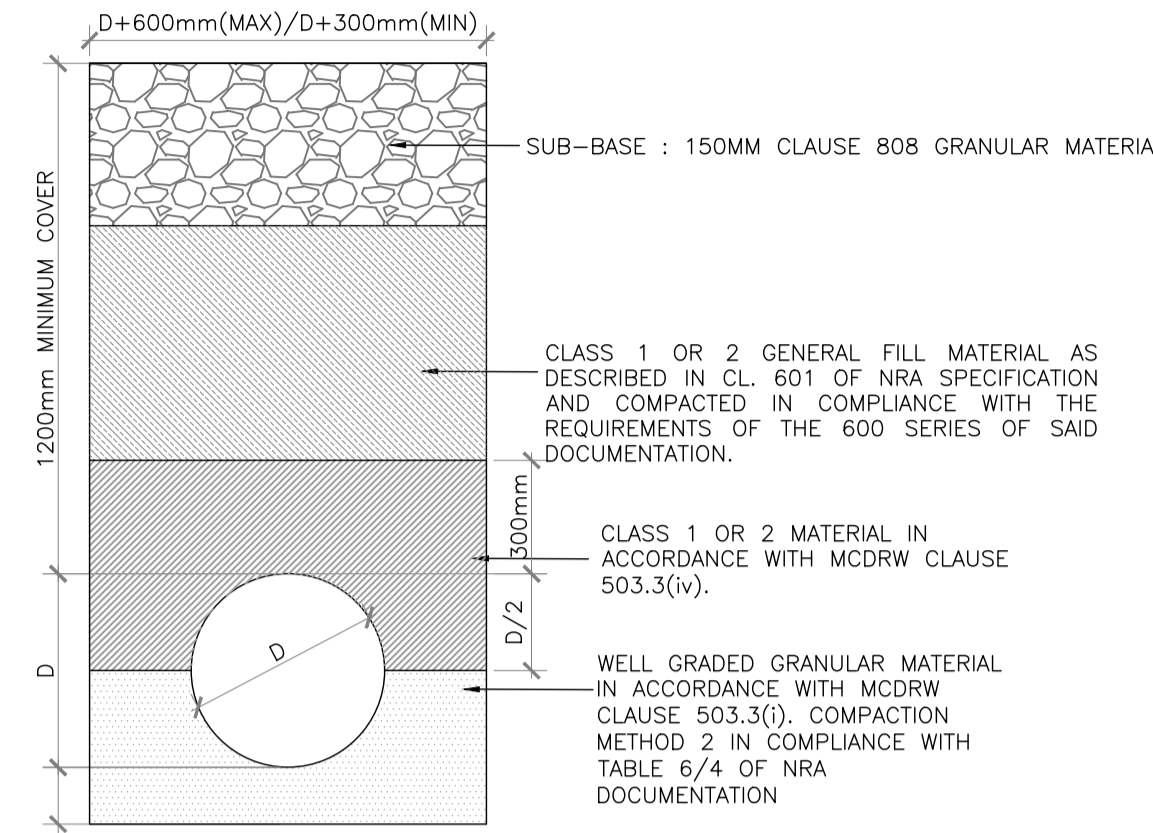
TYPICAL MANHOLE DETAIL (TYPE C)

SCALE 1:20



TYPICAL TRENCH DETAIL (GRASSED AREAS)

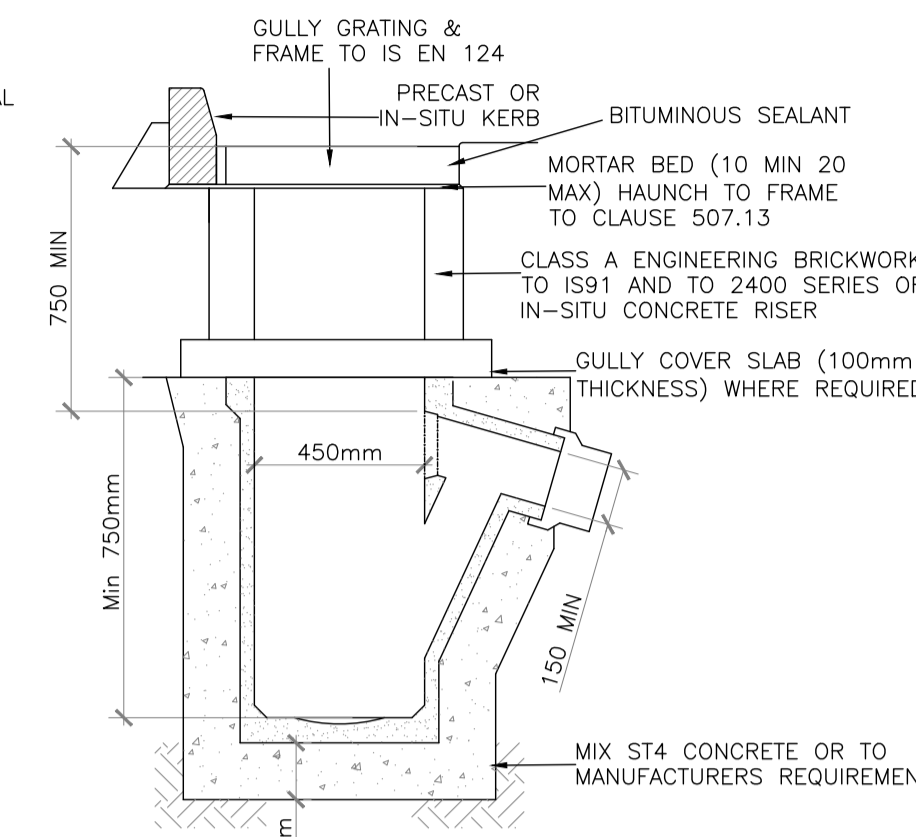
SCALE 1:20



TYPICAL TRENCH DETAIL (ROAD AREAS)

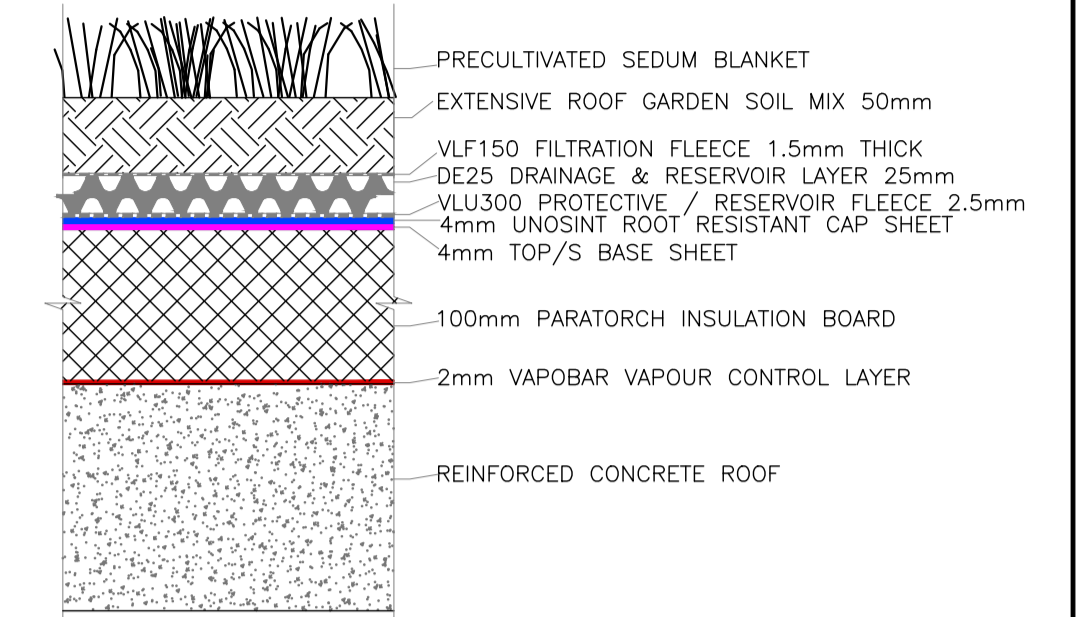
SCALE 1:20

DEPTH (m)	CHAMBER TYPES								
	PIPE DIAMETER								
0-1m	A 975x1350	A 975x1350	A 975x1350	A 975x1350	C 1200	C 1200	C 1350	C 1350	C 1500
1-3m	C 1050	C 1050	C 1050	C 1050	C 1200	C 1200	C 1350	C 1350	C 1500
3-6m	D 1050	D 1050	D 1050	D 1050	D 1200	D 1200	D 1350	D 1500	D 1500
6-12m	E 1500	E 1500	E 1500	E 1500	E 1500	E 1500	E 1500	E 1500	E 1500



TYPICAL PRECAST ROAD GULLY

SCALE 1:20



IMPORTANT NOTE:
THE COMBINED THICKNESS OF ALL THE ELEMENTS USED IN THE EXTENSIVE GREEN ROOF BUILD UP, FROM TOP OF DECKING TO TOP OF SOIL LAYER IS 215mm

SEDUM PLANTS WILL TYPICALLY REACH HEIGHTS OF 100-150mm

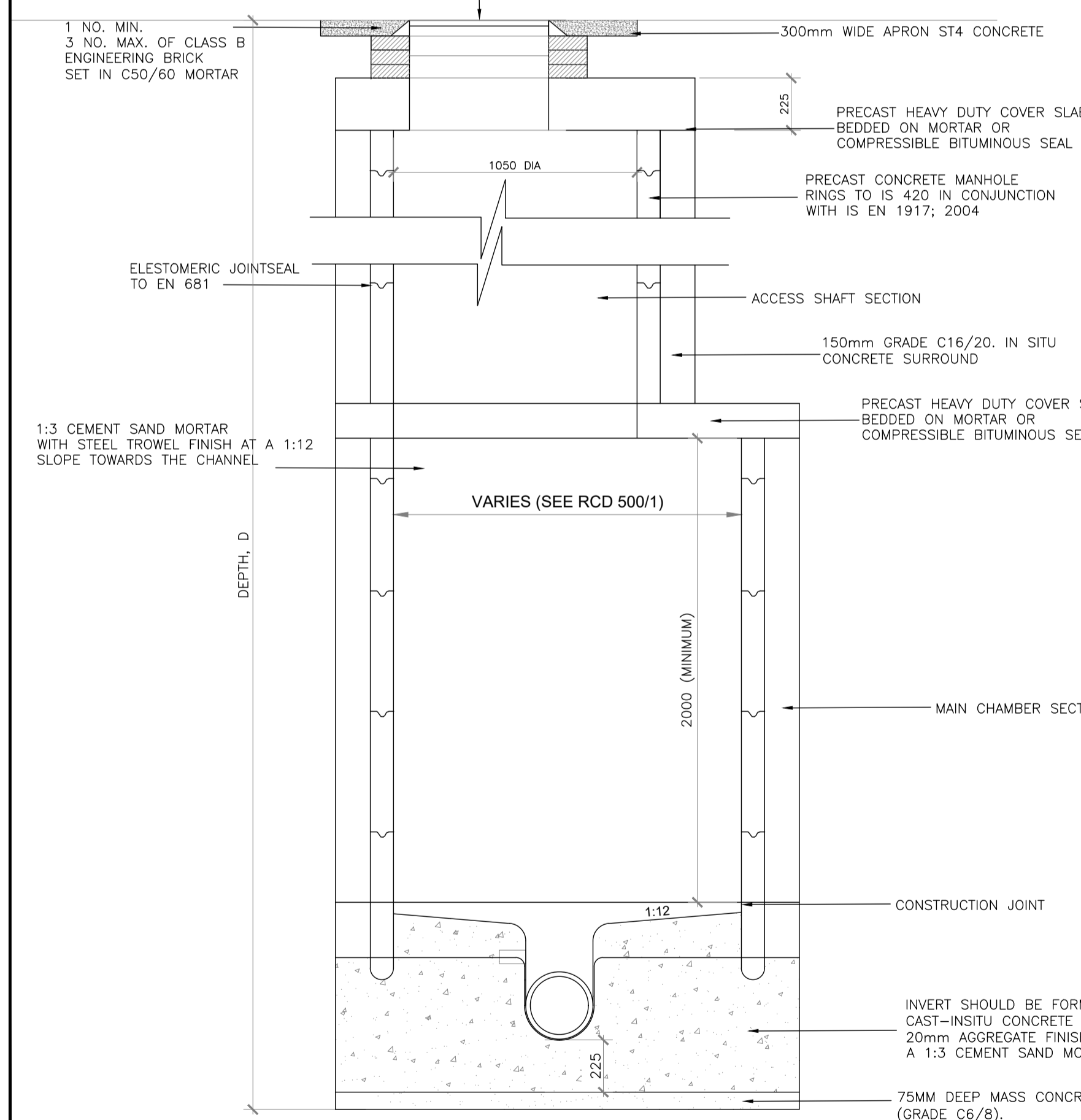
EXTENSIVE GREEN ROOF = 0.981 kN/m²

NO ACCESS

EXTENSIVE GREEN ROOF BUILD UP

SCALE 1:5

HINGED DOUBLE LEAF MANHOLE COVER AND FRAME SHALL COMPLY TO EN 124 AND BS 7903 ALL CLASS D400 COVERS SHALL HAVE MIN. FRAME DEPTH 150mm) OPE 600x600 mm

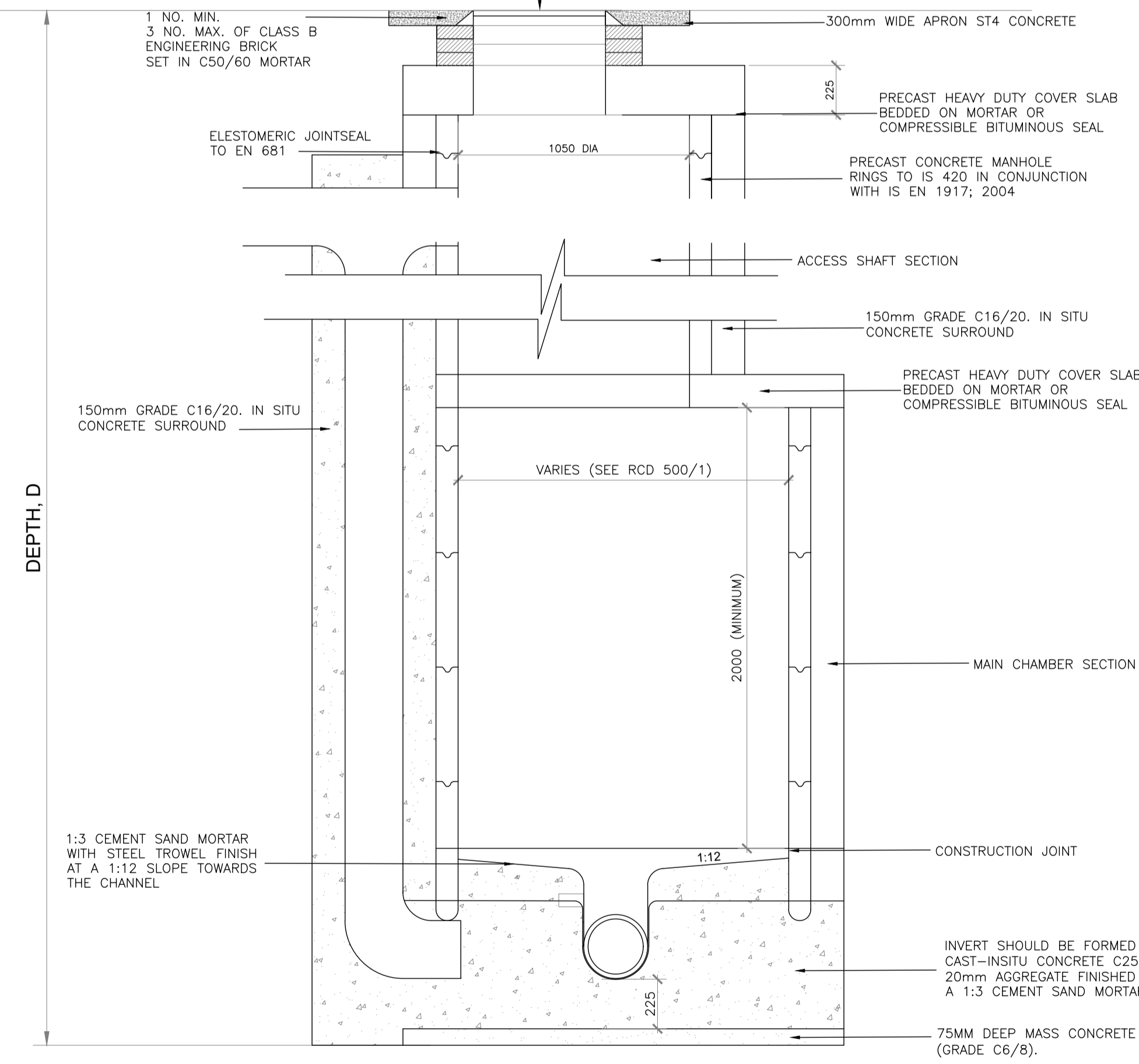


PLEASE NOTE THE CONTRACTOR SHALL REFER TO NRA DETAIL RCD/500/5

TYPICAL MANHOLE DETAIL (TYPE D)

SCALE 1:20

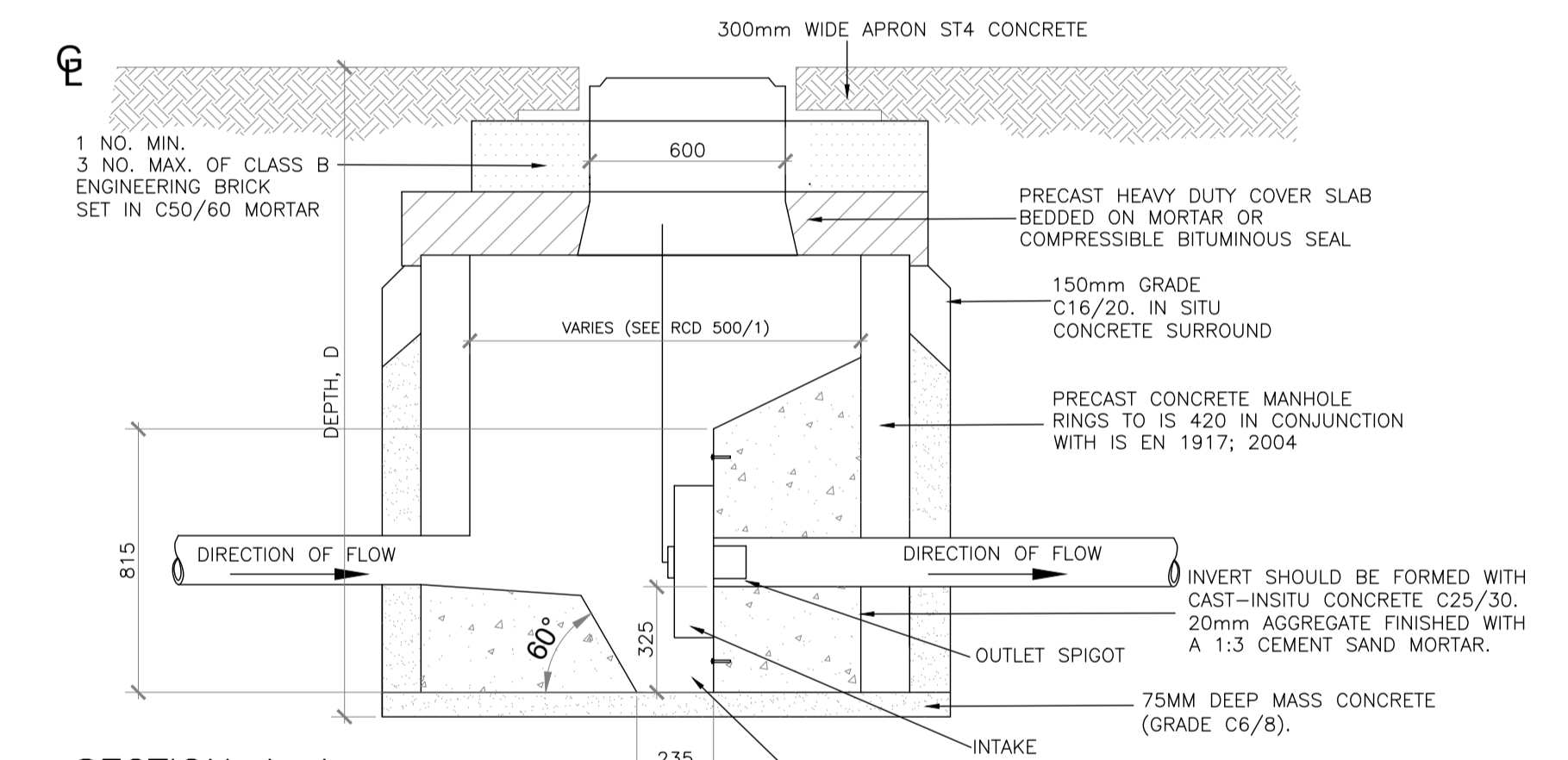
HINGED DOUBLE LEAF MANHOLE COVER AND FRAME SHALL COMPLY TO EN 124 AND BS 7903 ALL CLASS D400 COVERS SHALL HAVE MIN. FRAME DEPTH 150mm) OPE 600x600 mm



PLEASE NOTE THE CONTRACTOR SHALL REFER TO NRA DETAIL RCD/500/5

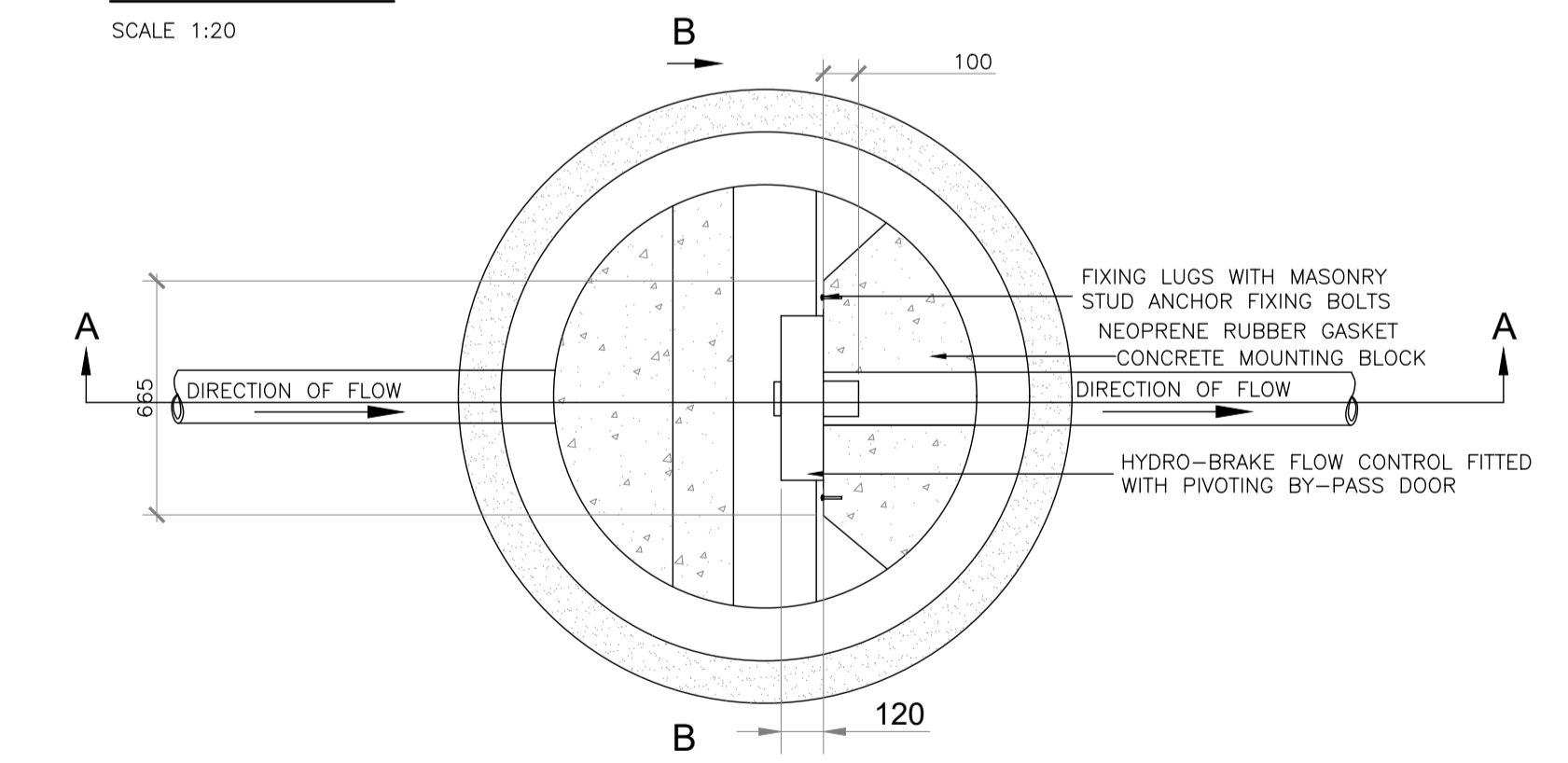
TYPICAL BACKDROP MANHOLE DETAIL

SCALE 1:20



SECTION A-A

SCALE 1:20



TYPICAL FLOW CONTROL MANHOLE

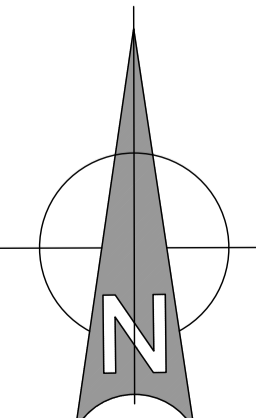
SCALE 1:20

S2 - INFORMATION

© ORS
This drawing and any design herein is the copyright of the Consultants and must not be reproduced without their written consent. All drawings remain the property of the Consultants.

Figured dimension only to be taken from this drawing. All dimensions to be checked on site. Consultants to be informed immediately of any discrepancies before work proceeds.

REV NO:	DATE:	REVISION NOTE:	DWN BY:	CKD BY:
P01	12/04/2021	ISSUED FOR INFORMATION	SG	MH
P02	26/11/2021	ISSUED FOR INFORMATION	SG	MH



CLIENT:	AVENIR HOMES LTD.		
PROJECT:	THE GREEN QUARTER SHD AT CARTRONTROY, KILNAFADDOGE AND LISSYWOLLEN (TOWNLANDS), ATHLONE, CO. WESTMEATH		
TITLE:	TYPICAL SURFACE WATER MANHOLE DETAILS		
DRAWN:	CHECKED:	APPROVED:	JOB NO:
SG	MH	MH	211_035
DATE:	SCALE:	DRAWING NO:	REV:
12/04/2021	1:20, 1:100	211_035-ORS-XX-XX-DR-C-403	P02

ORS

Dublin | London | Mullingar
T: +353 1 5242060 | W: www.ors.ie | E: info@ors.ie
ISO 9001:2008 QUALITY ASSURED COMPANY